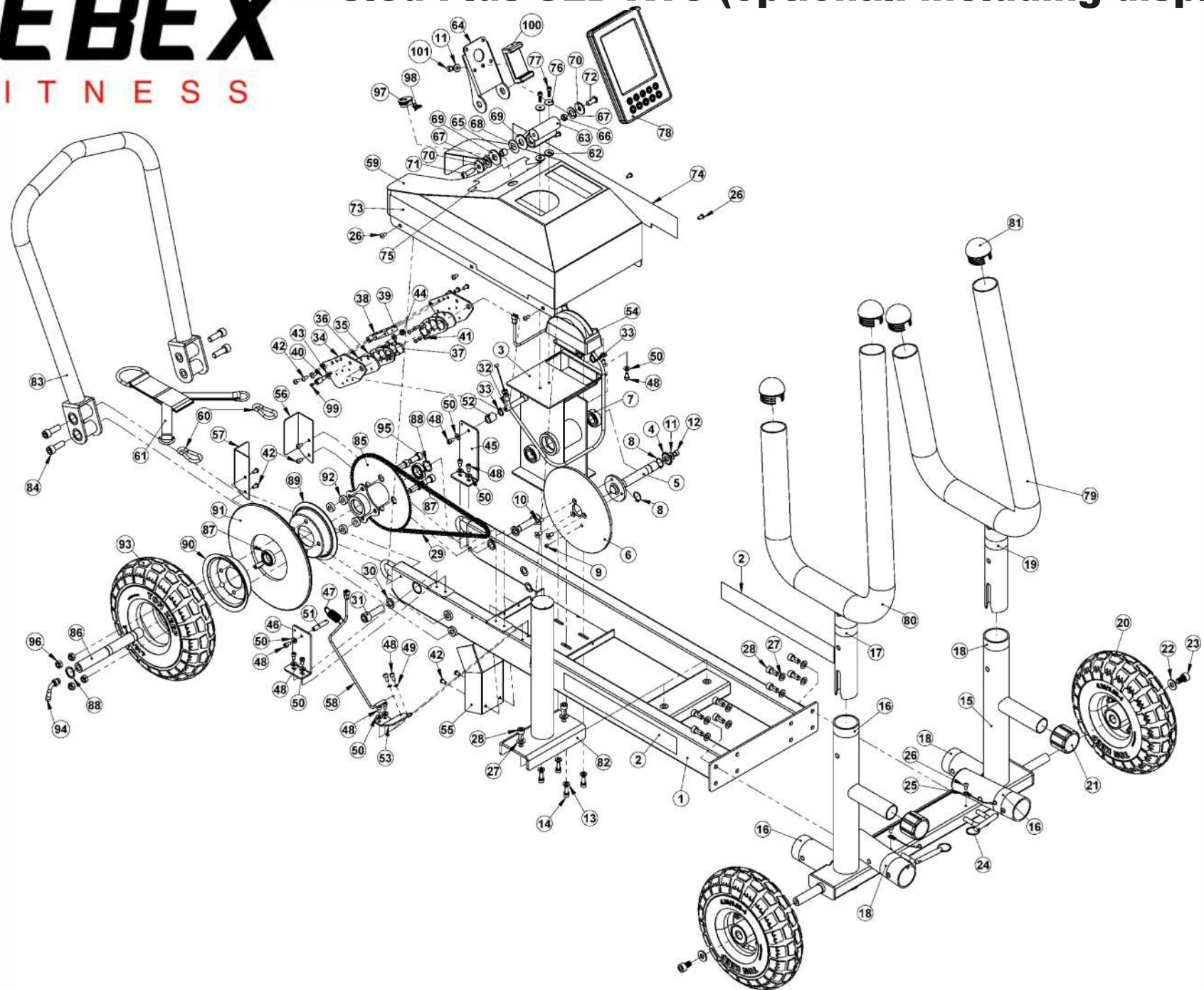


XEBEX

FITNESS

Sled Plus SLD-XT3 (optional: including display)



Item No.	Part No.	Description	Q'ty
1	521-3-1000-000C3	Main Frame - coating	1
2	521-6-1012-001	Frame side label(XT3)	2
3	521-3-1300-000C3	Airplus lever mount-coating	1
4	350-6-7145-000	Sprocket	1
5	521-3-1320-000	Aluminum plate shaft set	1
6	521-6-1308-000	Induction aluminum plate	1
7	611-6-6003-00	6003ZZ bearing	2
8	667-5-0170-00	RING, EXT RETAINING, 17MM	2
9	348-6-5309-001	Magnet, Ø6×6	1
10	658-1-0060-03	Screw, countersunk M6×1.0×12	3
11	603-3-0064-061	Washer, Ø15×Ø6.4×1.6t	2
12	649-1-0060-14	Bolt, M6x1.0x10L	1
13	603-3-0064-014	Washer, Ø12.5×Ø6.4×1.6	4
14	649-1-0060-221	M6×1×18L bolt+Spring washer	4
15	521-3-1200-000C3	Rear wheel frame-coating	1
16	521-6-1212-001	Striped decal-red	3
17	521-6-1212-001	Striped decal-red	1
18	521-6-1213-001	Striped decal-white	3
19	521-6-1213-001	Striped decal-white	1
20	350-6-7260-000	Wheel, 10"	2
21	303-6-1210-01	Cap	2
22	603-3-0102-02	Washer, Ø22xØ10.2x2.2	2
23	649-1-0100-406	Bolt, M10x1.5x16L	2
24	521-6-1210-001	Ring-Pull Pin	2
25	521-6-1211-000	Wire terminal cable	2
26	659-1-0050-18	Bolt, M5×0.8×10L	8
27	603-3-0083-076	Washer, Ø16xØ8.3x1.6	10
28	649-1-0080-321	Bolt, M8×1.25×18L	10
29	350-6-7130-000	Chain, RS25	1
30	605-3-0128-002	Spring washer, Ø19.61xØ12.8x2.8	2
31	649-1-0120-142	Bolt, M12×1.75×40L	2
32	521-6-1503-001	Magnetron shaft	1
33	667-5-0120-00	RING, EXT RETAINING, 12MM	2
34	521-6-1401-001	Magnet fixing plate	2
35	521-6-1402-001	Magnet positioning plate	2
36	521-6-1403-001	Brake connecting plate	2

Item No.	Part No.	Description	Q'ty
37	505-6-2820-001	Magnet, Ø25×5	8
38	521-6-1404-001	Magnetron fixed shaft	1
39	521-6-1405-001	Brake connecting plate	1
40	521-6-1407-001	Rope shaft	1
41	659-1-0040-02	Bolt, M4×0.7×10L	12
42	659-1-0050-14	Bolt, M5×0.8×10L	12
43	603-3-0062-001	Plastic washer, Ø12.7×Ø6.3×1	2
44	661-2-0060-00	Nylon Nut, M6×1.0	1
45	521-3-1500-001	Magnetron fixed	1
46	521-6-1502-001	Rod holder	1
47	513-6-1207-001	Extension spring	1
48	649-1-0050-16	Screw, M5x0.8x10L	12
49	603-3-0050-032	Washer, Ø8.1×Ø5.1×1.2	2
50	603-3-0055-04	Washer, Ø12×Ø5.5×1.5	10
51	521-6-1504-001	Spring rod (Frame)	1
52	521-6-1505-000	Plastic spacer, Ø16×Ø10.1×16.9	1
53	521-6-1509-001	Switch seat fixing plate	1
54	521-6-1508-000	Airplus lever	1
55	521-3-1100-000C3	Mudguard set-coating	1
56	521-6-1103-000C3	Right front mudguard coating	1
57	521-6-1104-000C3	Left front mudguard coating	1
58	521-6-1510-001	RPM sensor cable	1
59	521-3-1600-000C3	Shroud set-coating	1
60	521-6-1506-000	Gourd hook	2
61	521-6-1507-000	Y type drawstring	1
62	603-3-0062-011	Plastic washer, Ø18×Ø6.2×2	4
63	521-3-1605-000C3	Console rotating set-coating	1
64	513-6-1603-001	Console bracket	1
65	521-6-1608-001	Spacer ring Left	1
66	521-6-1609-001	Spacer ring Right	1
67	603-3-0130-030	Plastic washer, Ø23×Ø13×2	2
68	606-3-0142-000	Disc spring	1
69	603-3-0134-006	Washer, Ø31.7×Ø13.4×2.2	2
70	603-3-0085-06	Washer, Ø25×Ø8.5×2.5	2
71	659-1-0080-074	Bolt, M8×1.25×25L	1
72	659-1-0080-084	Bolt, M8×1.25×20L	1

Item No.	Part No.	Description	Q'ty
73	521-6-1611-001	Left side decal for shroud (XEBEX)	1
74	521-6-1612-001	Right side decal for shroud (XEBEX)	1
75	521-6-1613-001	Middle decal for shroud (XT3)	1
76	603-3-0050-01	Washer, $\varnothing 18 \times \varnothing 5 \times 1.5$	2
77	649-1-0050-305	Bolt, M5 \times 0.8 \times 16L	2
78	521-6-1610-001	Console (Optional Upgrade)	1
79	521-3-1700-000C3	Right handlebar set-coating	1
80	521-3-1710-000C3	Left handlebar set-coating	1
81	501-6-3808-001	Round cap	4
82	521-3-1820-000C3	Weight plate support set-coating	1
83	521-3-1800-000C3	Push and drag riser rack set-coating	1
84	649-1-0100-125	Bolt, M10 \times 1.5 \times 30L	4
85	350-3-7122-000	Sprocket seat set (white zinc)	1
86	350-6-7126-000	Tire axle (white zinc)	1
87	611-6-6804-010	6804ZZ bearing	2

Item No.	Part No.	Description	Q'ty
88	667-5-0200-00	RING, EXT RETAINING, 20MM	2
89	350-6-3055-000	10" wheel frame (white zinc)	1
90	350-6-3056-000	10" wheel frame (white zinc) nozzle	1
91	350-6-3053-000	10" inner tire	1
92	350-6-7127-000	Spacer ring (white zinc)	4
93	350-6-7128-000	10" outter tire	1
94	350-6-7129-000	Air nozzle extension tube (90 degree bend)	1
95	649-1-0080-352	Bolt, M8 \times 1.25 \times 20L	4
96	661-2-0080-05	Nut, M8 \times 1.25	4
97	371-6-2203-011	Snap Bushing	1
98	322-6-9015-00	TIE, PUSH MOUNT, W2.5	1
99	644-1-0050-057	Socket Set Screw, M5 \times 0.8 \times 6	1
100	521-6-1615-001	Smartphone Clip	1
101	649-1-0064-026	Bolt, 1/4-20 \times 9.5L	1