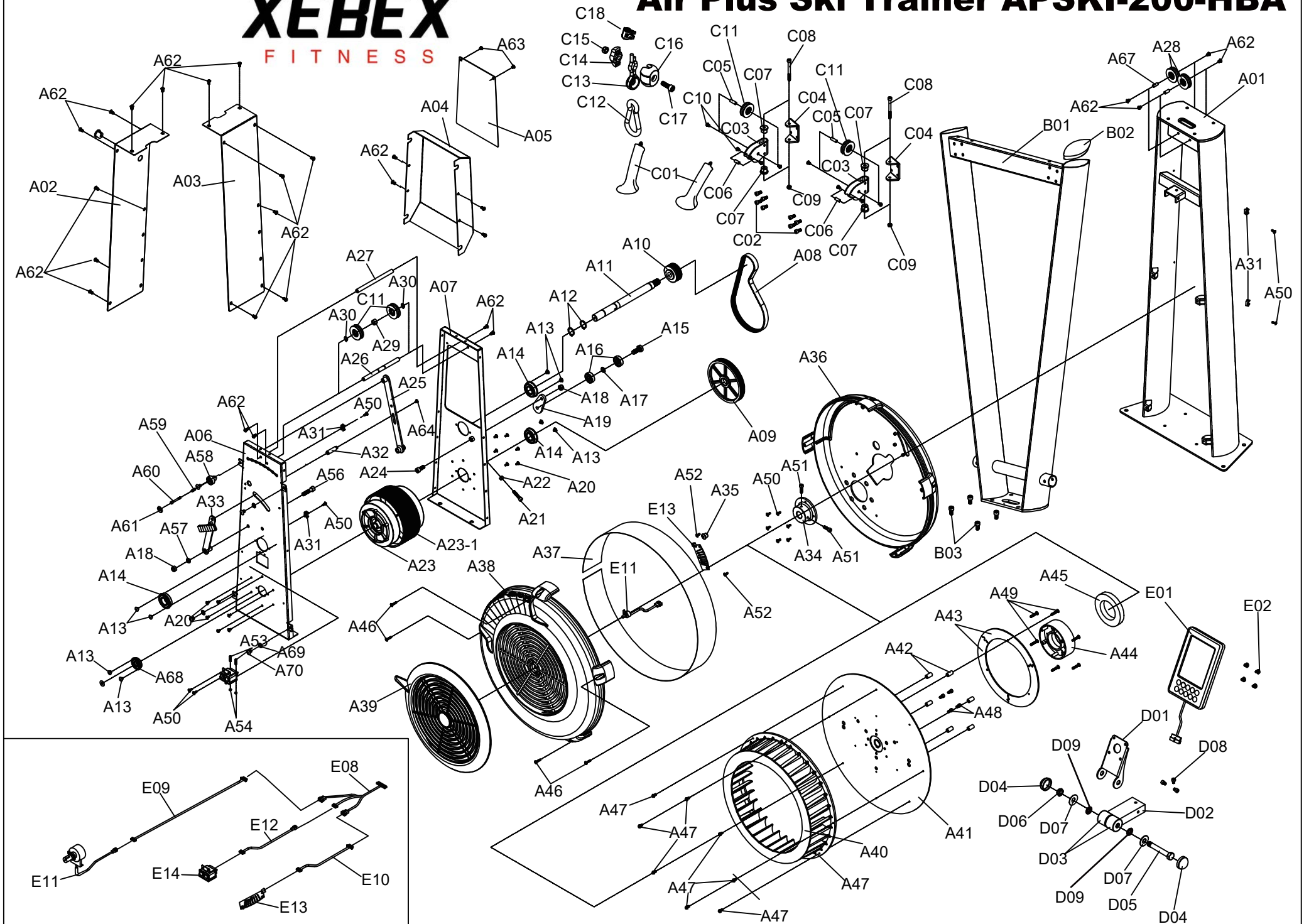


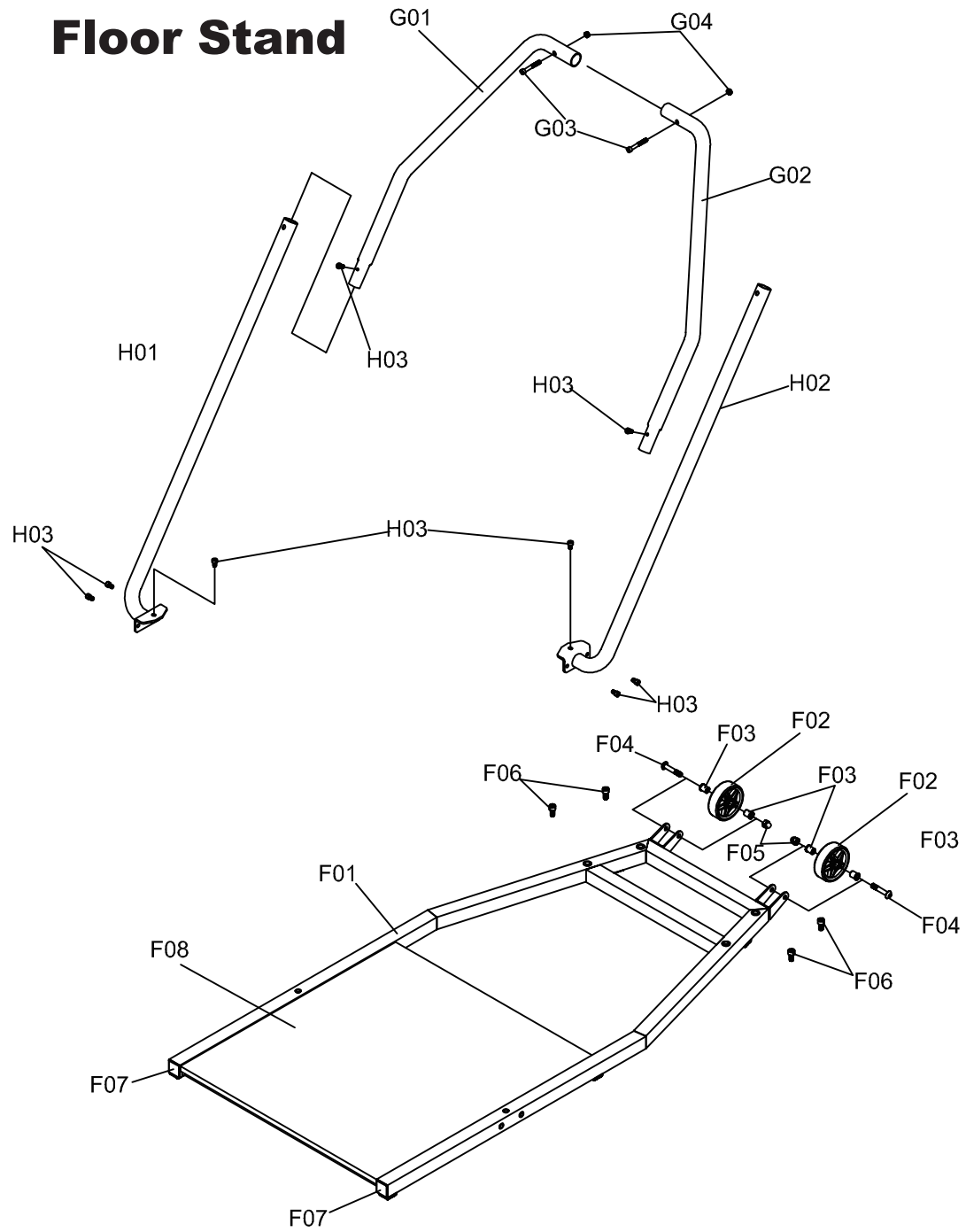
XEBEX

FITNESS

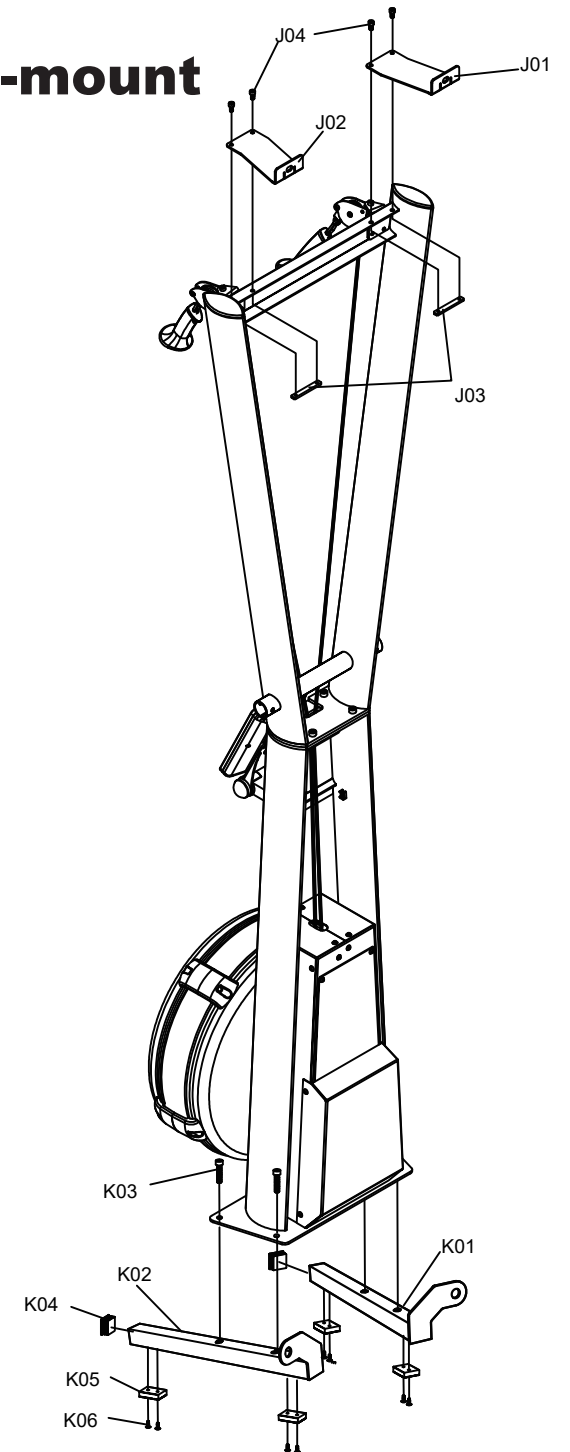
Air Plus Ski Trainer APSKI-200-HBA



Floor Stand



Wall-mount



| NO. | NAME | Q'TY |
|-------|--|------|
| A01 | Main Frame | 1 |
| A02 | L_Cover Plate | 1 |
| A03 | R_Cover Plate | 1 |
| A04 | Maintenance Hole Cover | 1 |
| A05 | Rear Housing | 1 |
| A06 | Front Cover | 1 |
| A07 | Rear Cover | 1 |
| A08 | Drive Belt(250-J6) | 1 |
| A09 | φ133 - Drive Belt Bracket | 1 |
| A10 | φ50 - Drive Belt Bracket | 1 |
| A11 | Fan Axle | 1 |
| A12 | S20 - Retaining Rings | 2 |
| A13 | M5X6mm - Truss head Screw | 8 |
| A14 | Bearing6004 | 3 |
| A15 | M10X25mm - Socket Screw | 1 |
| A16 | Bearing6200 | 2 |
| A17 | M10 - Plain Washer 1T | 1 |
| A18 | M8 - Nylon Nut | 2 |
| A19 | Idler Rack | 1 |
| A20 | M4x10mm - Self-TappingScrew | 12 |
| A21 | M6X30mm - Socket Screw | 1 |
| A22 | M6 - Hex Nut | 1 |
| A23 | Spring and Rope Housing (Including Rope) | 1 |
| A23-1 | Rope (Without rope housing and spring) | X |
| A24 | M8X20mm - Socket Screw | 1 |
| A25 | Adjustment Rod | 1 |
| A26 | Wire Axle | 1 |
| A27 | Anti Eccentric Axle | 1 |
| A28 | φ42mm - Pulley | 2 |
| A29 | Spacer Ring-Short | 1 |
| A30 | S10 - Retaining Rings | 2 |
| A31 | STM-1 _ Bracket | 4 |
| A32 | Adjustment Rod | 1 |
| A33 | Magnet Bracket | 1 |
| A34 | Fan Center Tube | 1 |
| A35 | Wire End Cap | 4 |
| A36 | Rear Chain Cover | 1 |
| A37 | Mesh | 1 |
| A38 | Right Chain Cover | 1 |
| A39 | Adjust Disc | 1 |
| A40 | Fan | 1 |
| A41 | Fan Stable Bracket | 1 |
| A42 | Casing | 6 |
| A43 | Aluminum Sheet | 3 |
| A44 | Magnet Bracket | 1 |
| A45 | Round Magnet | 1 |
| A46 | M4X20mm-Truss head Self-Tapping Screw | 4 |
| A47 | M4XP0.75X10mm - Hex Cross Washer | 8 |
| A48 | M5X10mm - Socket Screw | 4 |
| A49 | M4X25mm - Truss head Screw | 6 |
| A50 | M4X12mm - Truss head Self-Tapping Screw | 12 |
| A51 | M6X20mm - Hex Socket Screw | 2 |
| A52 | M3X8mm - Truss head Self-Tapping Screw | 2 |
| A53 | M3X15mm - Pan Head Screw | 2 |

| NO. | NAME | Q'TY |
|---------|------------------------------------|------|
| A54 | M3 - Hex nut | 2 |
| A56 | M8X35mm - Socket Screw | 1 |
| A57 | M8 - Washer | 1 |
| A58 | Knob | 1 |
| A59 | Compression Spring | 1 |
| A60 | M4X33mm - Socket Screw | 1 |
| A61 | Sticker | 1 |
| A62 | M5X10mm - Button Head Socket Screw | 24 |
| A63 | M5X6mm - Button Head Socket Screw | 2 |
| A64 | M4X6mm - Truss head Screw | 1 |
| A67 | φ7X15.8mm - Pulley Axle | 2 |
| A68 | Bearing6201 | 1 |
| A69 | M6X1TX13mm - Flat Washer | 4 |
| A70 | M6X10mm - Truss head Screw | 4 |
| B01 | Support Frame | 1 |
| B02 | Tube Cap | 2 |
| B03 | M8X16mm - Socket Screw | 4 |
| C01 | Handle Bar | 2 |
| C02 | M6X16mm - Socket Screw | 8 |
| C03 | Pulley Bracket | 2 |
| C04 | Pulley Bracket Fixed Plate | 2 |
| C05 | Casing- Long | 2 |
| C06 | Casing- Short | 2 |
| C07 | Pulley Bracket Bushing | 4 |
| C08 | M6X65mm - Socket Screw | 2 |
| C09 | M6 - Nylon Nut | 2 |
| C10 | M5X8mm - Button Head Socket Screw | 8 |
| C11 | φ42mm - Pulley With Two Spacers | 4 |
| C12 | Carabiner | 2 |
| C13 | Rope Protective Case | 2 |
| C14 | Knot Bracket A | 2 |
| C15 | M5 - Nylon Nut | 2 |
| C16 | Knot Bracket B | 2 |
| C17 | M5X16mm - Socket Screw | 2 |
| C18 | Pulley Bracket Protective Case | 2 |
| D01 | Console Holder | 1 |
| D02 | Connecting Tube | 1 |
| D03 | Console Bushing | 2 |
| D04 | 1/2" - Nut Cap | 2 |
| D05 | 1/2" x 3-1/4" - Socket Screw | 1 |
| D06 | 1/2" - Nylon Nut | 1 |
| D07 | 1/2"x1Tx32 Flat Washer | 2 |
| D08 | M6X16mm - Socket Screw | 3 |
| D09 | 1/2"x2Tx23 Flat Washer | 2 |
| E01-HBA | HIIT Console Smart Connect | 1 |
| E02 | M5x10 - mmTruss head Screw | 1 |
| E08 | Magnetron Connecting Wire | 1 |
| E09 | VR Connecting Wire | 1 |
| E10 | Magnetic Reed Tube Connecting Wire | 1 |
| E11 | VR | 1 |
| E12 | Generator Connecting Wire | 1 |
| E13 | PCB+Magnetic Reed Tube | 1 |
| E14 | Generator | 1 |

| NO. | NAME | Q'TY |
|-----------------------------|---|-------------|
| Parts Of Floor Stand | | |
| F01 | Base Frame | 1 |
| F02 | Caster | 2 |
| F03 | Bushing | 4 |
| F04 | M8X45mm - Truss Head Hex Socket Screw | 2 |
| F05 | M8 - Hex Nut | 2 |
| F06 | M8X35mm - Socket Screw | 4 |
| F07 | 30X30MM - Tube Cap | 2 |
| F08 | Pad | 1 |
| G01 | L_ Upper Handrail Tube | 1 |
| G02 | R_ Upper Handrail Tube | 1 |
| G03 | M6X45mm - Socket Screw | 2 |
| G04 | M6 - Nylon Nut | 2 |
| H01 | L_ Lower Handrail Tube | 1 |
| H02 | R_ Lower Handrail Tube | 1 |
| H03 | M6X16mm - Socket Screw | 8 |
| Parts Of Wall-mount | | |
| J01 | L_ Top wall-mount Plate | 1 |
| J02 | R_ Top wall-mount Plate | 1 |
| J03 | Fixed Plate | 2 |
| J04 | M6X16mm - Socket Screw | 4 |
| K01 | L_ Bottom wall-mount Tube | 1 |
| K02 | R_ Bottom wall-mount Tube | 1 |
| K03 | M8X35mm - Socket Screw | 4 |
| K04 | 30X30MM - Tube Cap | 4 |
| K05 | Bottom Rubber Pad | 4 |
| K06 | M4X12mm - Truss head Self-Tapping Screw | 8 |