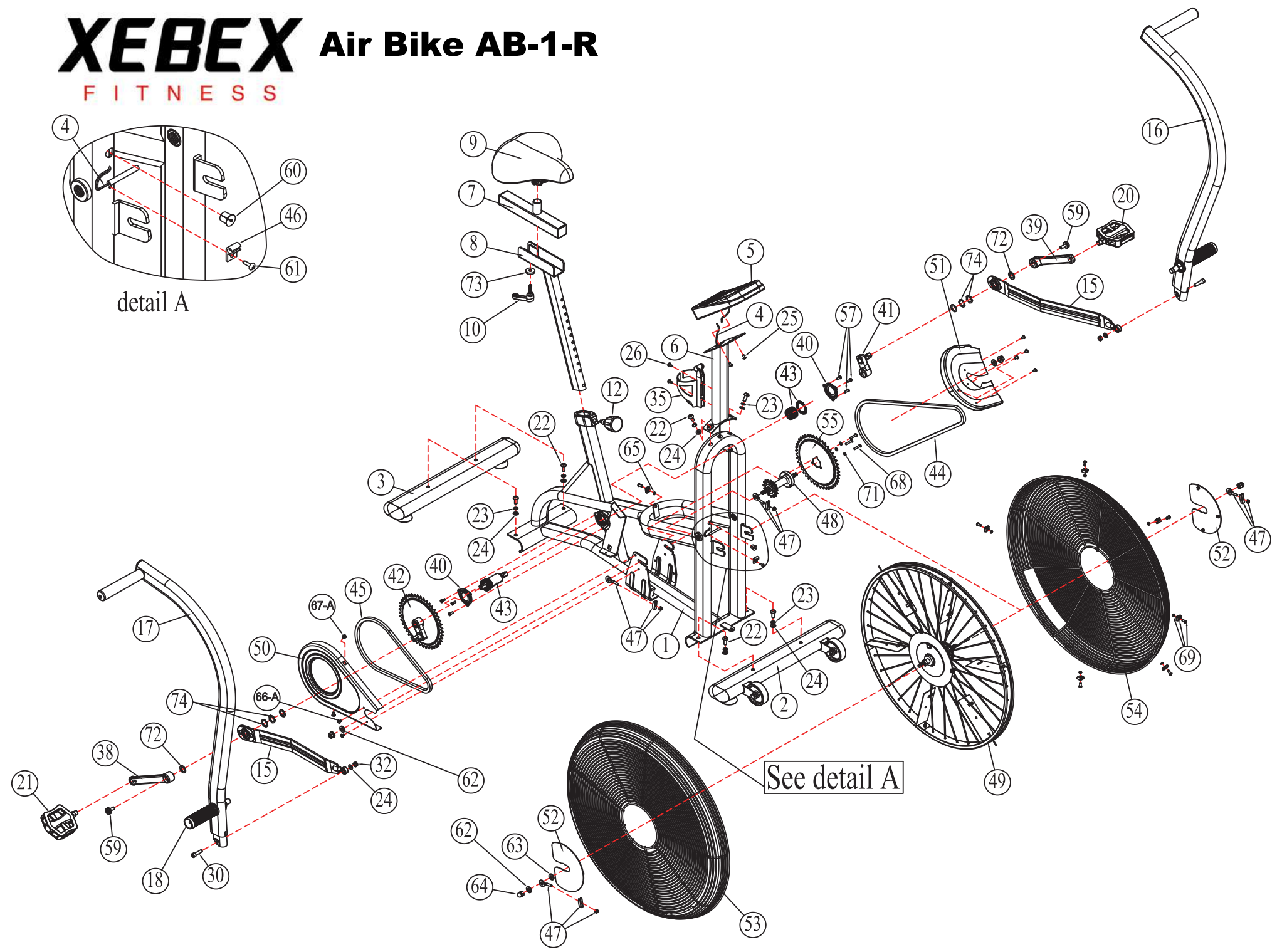


# XEBEX Air Bike AB-1-R

FITNESS



## Part List AB-1-R

PART DESCRIPTION	PART#	QTY	PART DESCRIPTION	PART#	QTY
FRAME	1	1PC	CHAIN	44	1PC
FRONT STABILIZER SET	2	1PC	CHAIN	45	1PC
REAR STABILIZER SET	3	1PC	SPEED SENSOR BRACKET ZEPHYR	46	1PC
CONSOLE WIRE	4	1PC	CHAIN TESIONER	47	4PAIR
CONSOLE	5	1PC	IDLER HUB	48	1PC
CONSOLE POST	6	1PC	WHEEL	49	1PC
SEAT TRACK	7	1PC	RIGHT CHAINGUARD	50	1PC
SEAT POST	8	1PC	LEFT CHAINGUARD	51	1PC
SEAT	9	1PC	SPOKE PROTECTOR	52	2PCS
FIX HANDLEBAR	10	1PC	WHEEL CAGE RIGHT	53	1PC
KNOB	12	1PC	WHEEL CAGE LEFT	54	1PC
CONNECTING ARM SET	15	2PCS	46T SPROCKET	55	1PC
LEFT LEVER ARM	16	1PC	HEX BOLT M5*10L	57	6PCS
RIGHT LEVER ARM	17	1PC	CRANK BOLT	59	2PCS
FOOT REST	18	2PCS	SEMSOR STOPPER	60	1PC
LEFT PEDAL	20	1PC	SCREW M4*16L	61	1PC
RIGHT PEDAL	21	1PC	WASHER 10*20*3T	62	2PCS
BUTTON HEAD ALLEN BOLT M8*20L	22	6PCS	WASHER 10*19*1.5T	63	2PCS
SPRING WASHER	23	12PCS	DOME NUT 3/8"	64	2PCS
WASHER 18*8.5*1.5T	24	14PCS	WASHER 5*12*1T	65	1PC
BOLT M5*10L	25	2PCS	SCREW M5*8L	66-A	4PCS
PAN HEAD SCREW M5*10L	26	2PCS	SCREW M5*8L	67-A	2PCS
ALLEN BOLT M8*35L	30	2PCS	ALLEN BOLT M5*25L	68	3PCS
NYLON NUT M8	32	2PCS	SPEED NUT SET	69	6SET
BOTTLE CAGE	35	1PC	WASHER 5*10*1T	71	3PCS
CRANK ARM RIGHT	38	1PC	WASHER 22*16*2T	72	2PCS
CRANK ARM LEFT	39	1PC	WASHER 8.5*28*5	73	1PC
BRACKET	40	2PCS	WASHER #16	74	4PCS
LEFT CRANK ECCENTRIC	41	1PC			
RIGHT CRANK ECCENTRIC W/46T SPROCKET	42	1PC			
BOTTOM BRACKET SET	43	1SET			